

## Notification of standard specification changes and model number changes

Thank you very much for your continued support.

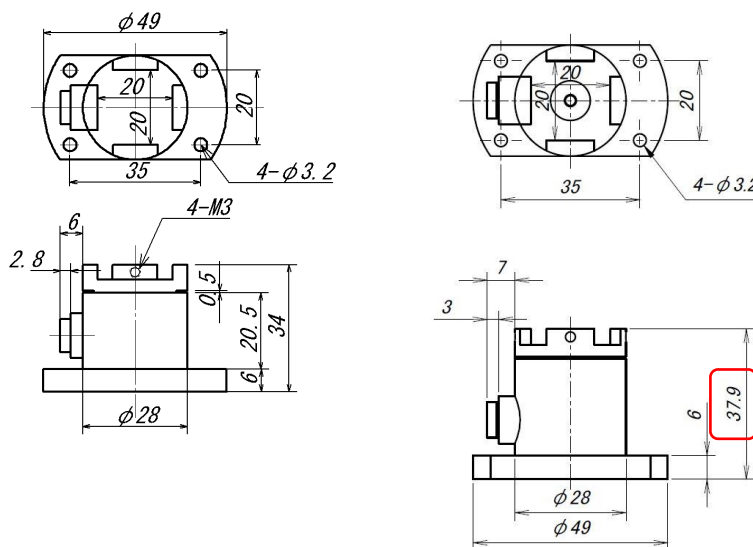
We will change the specifications and model numbers of the following products as we improve the quality of our standard products and review the manufacturing process. Although it is a little different from the conventional product, we are currently using this machine for many automatic machines, so we have changed the model number and contacted us to make a clear distinction from the conventional product. We apologize for the inconvenience, but we kindly ask you to refer to the contents before handling.

<b>Modified model</b>	Torque tester DIS-IPS20C Torque tester WDIS-IPS20C	
<b>Model number</b>	Old) DIS-IPS20C	New) <b>DIS-IPS20CL</b>
	Old) WDIS-IPS20C	New) <b>WDIS-IPS20CL</b>

**Changes** Height of detection unit (common to DIS WDIS)

Old) IPS20C 34 mm

New) **IPS20CL 37.9 mm**



\*If users who are currently using the product change the height, the existing models "DIS-IPS20C" and "WDIS-PS20C" will be manufactured. Please contact our sales department.