

Notification of standard specification changes and model number changes

Thank you very much for your continued support.

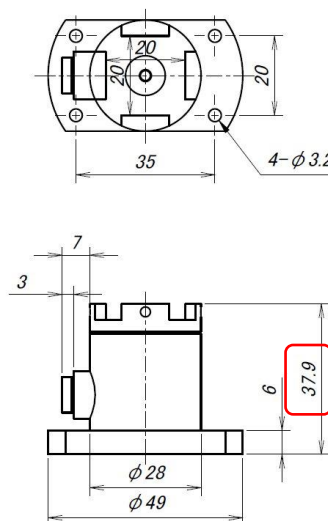
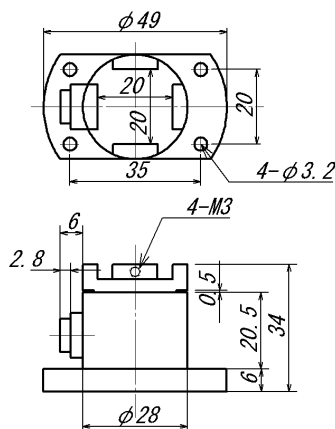
We will change the specifications and model numbers of the following products as we improve the quality of our standard products and review the manufacturing process. Although it is a little different from the conventional product, we are currently using this machine for many automatic machines, so we have changed the model number and contacted us to make a clear distinction from the conventional product. We apologize for the inconvenience, but we kindly ask you to refer to the contents before handling.

Modified model	Torque tester DIS-IPS20C Torque tester WDIS-IPS20C	
Model number	Old) DIS-IPS20C Old) WDIS-IPS20C	New) DIS-IPS20CL New) WDIS-IPS20CL

Changes Height of detection unit (common to DIS WDIS)

Old) IPS20C 34 mm

New) IPS20CL 37.9 mm



* We will also discontinue the production of the old detector "-IPS20C" that has been supported for repeat users. We apologize for the inconvenience and thank you for your understanding.